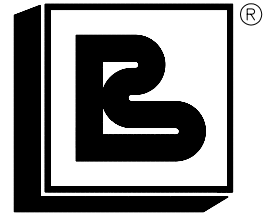


benazzato gru

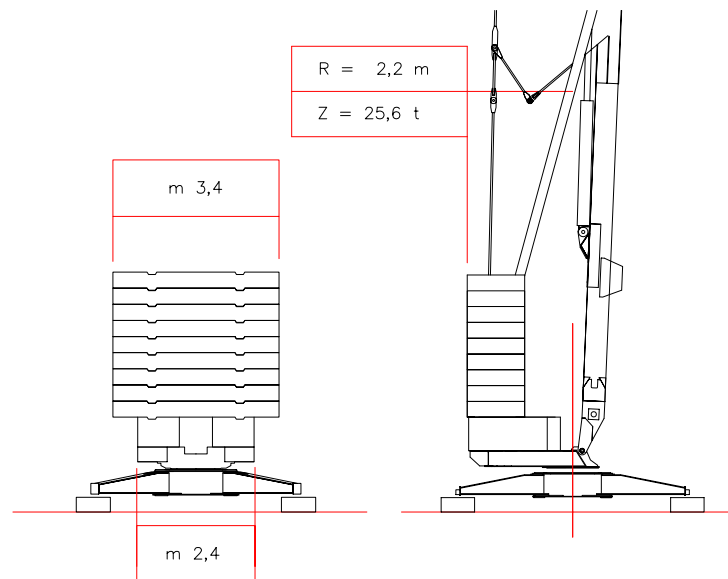
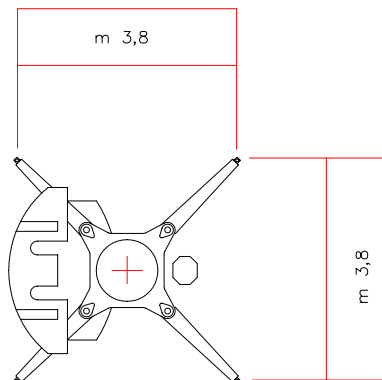
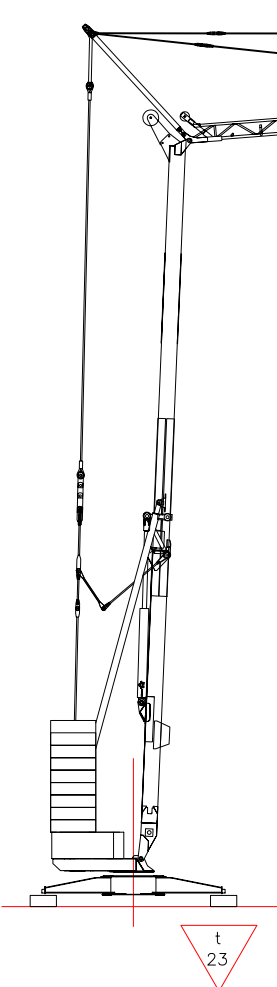
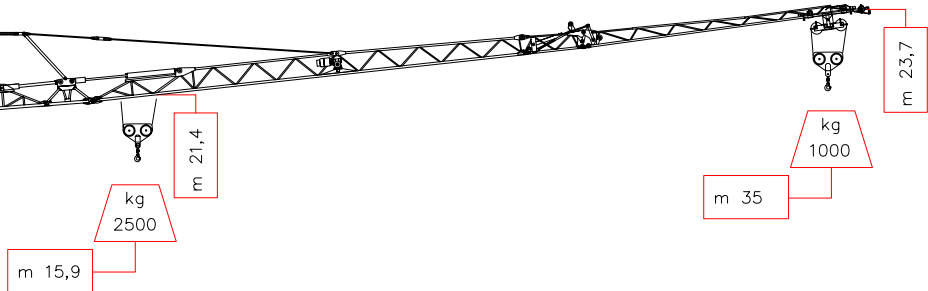
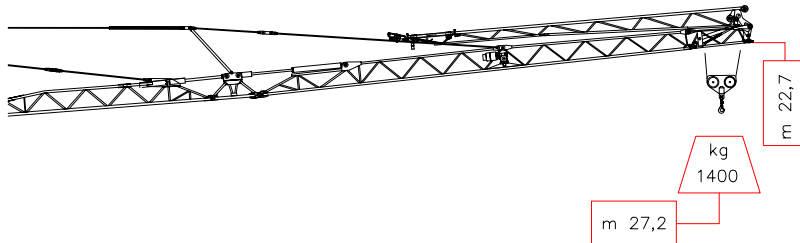
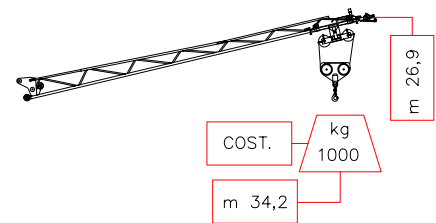
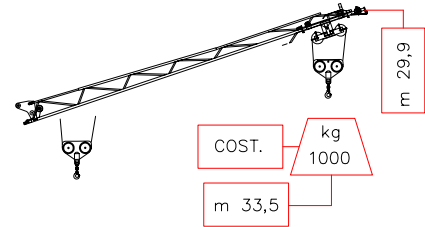
S.p.A.



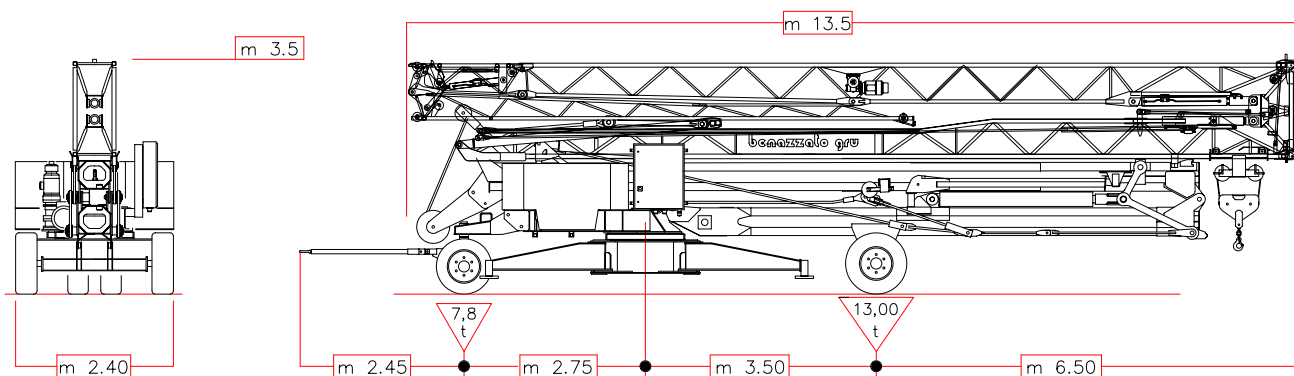
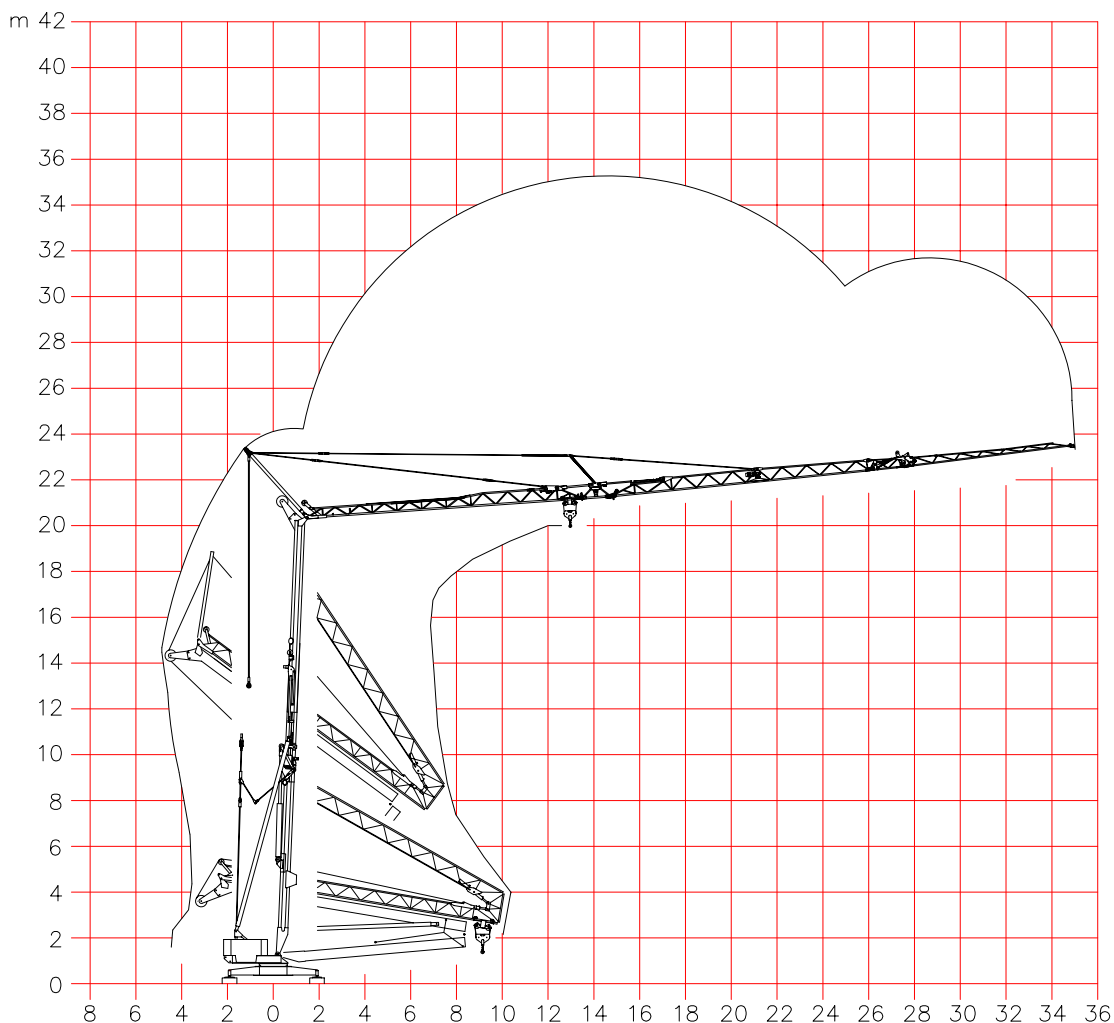
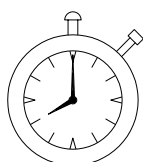
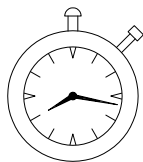
UFFICI - STABILIMENTO: 28047 OLEGGIO (NO) - VIA SANTO STEFANO 103
 TELEFONO 0321 / 93.535-94.734 (ric. aut.) - FAX 0321 / 94.824
 E-mail info@benazzatogru.it - web site www.benazzatogru.it
 SEDE LEGALE : 28047 OLEGGIO (NO) - VIA SANTO STEFANO 103

SERIE 202 TIPO 23-35-1000

MONTAGGIO IDRAULICO AUTOMATICO
 SELF-ERECTING HYDRAULIC TOWER CRANE
 GRUE A TOUR HYDRAULIQUE A MONTAGE RAPIDE
 HYDRAULISCHER TURMDREHKRAN MIT SCHNELLMONTAGE
 GRUA AUTOMONTANTE HIDRAULICA DE MONTAJE RAPIDO



| Hook | Capacity (kg) | SERIE | 202 | 2500 | 2310 | 2040 | 1810 | 1630 | 1480 | 1350 | 1240 | 1150 | 1070 | 1000 |
|----------------|---------------|-------|-----|------|------|------|------|------|------|------|------|------|------|------|
| Jib Length (m) | | | | 15,9 | 17 | 19 | 21 | 23 | 25 | 27 | 29 | 31 | 33 | 35 |



DIN 15018 H₁ B₂ B₃ DIN 15019

| | | |
|--|------------------|---------|
| | m/min 48-1250 Kg | Kw 10,5 |
| | m/min 24-2500 Kg | Kw 10,5 |
| | m/min 5-2500 Kg | Kw 2,6 |
| | rpm 0,4/1,0 | Kw 2,2 |
| | upm | |
| | m/min 40-1250 Kg | Kw 2,2 |
| | m/min 20-2500 Kg | Kw 2,2 |

| | |
|---|-----|
| TRIFASE TRIFASICA TRIPHASEE THREE-PHASE DREHSTROM | |
| V | 380 |
| Hz | 50 |
| MAX. POWER | |
| KVA | 19 |

Torre in tubo ottagonale
 Crane with octagonal closed beam tower
 Grue avec mat en tube octogonal
 Kran mit oktogonalem Rohrturm
 Torre de tubo octogonal